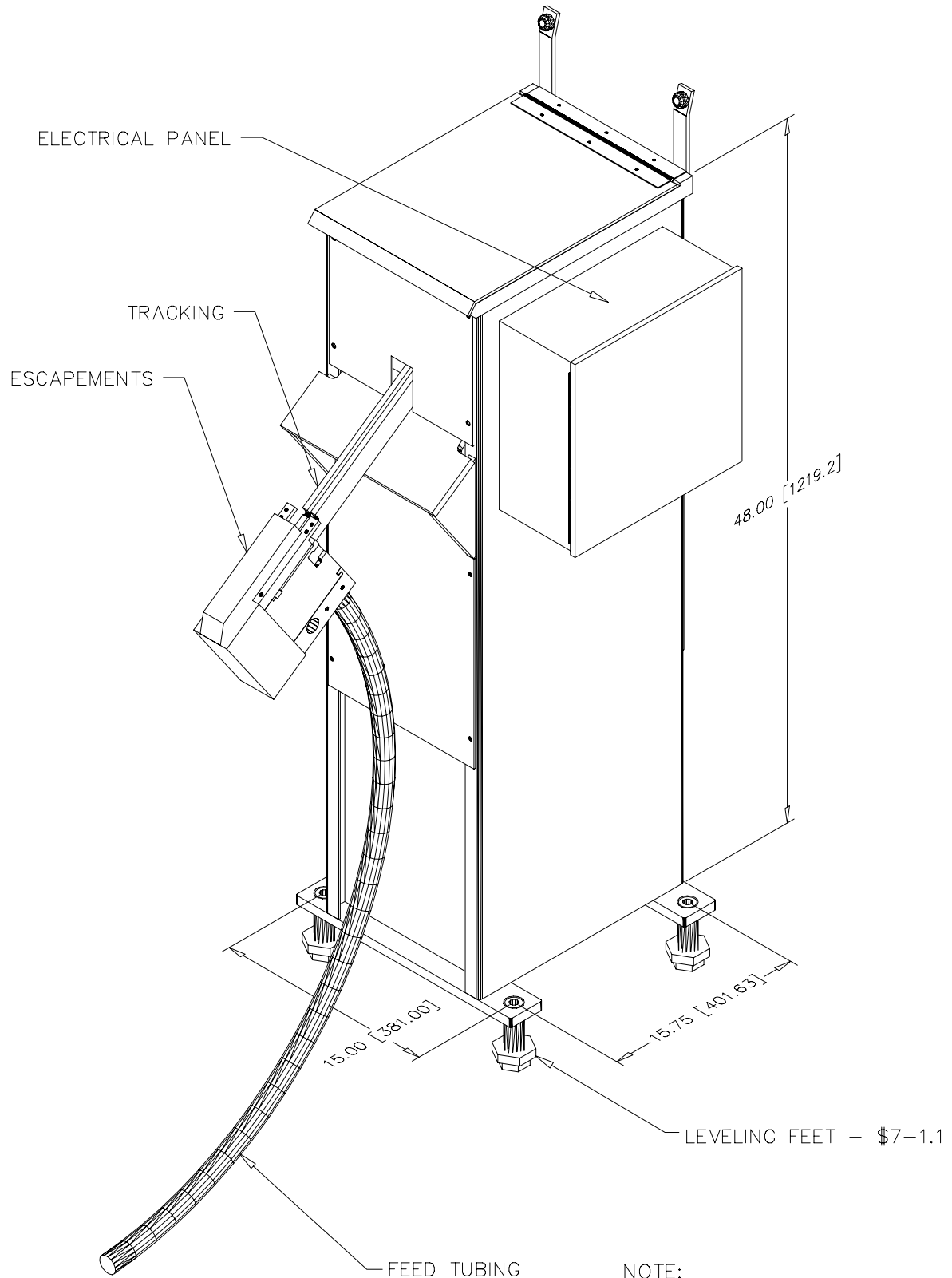


1.1 LADDER FEEDER



NOTE:  
 THIS IS A STANDARDIZED VIEW  
 FOR BOLTS, TOOLING MAY VARY  
 WHEN FEEDING OTHER PARTS